

1414 N4 304 SS Stainless Steel Enclosures - NEMA 4X

Lift-Off, Clamped Cover



**Inner
Panel
Included**



Corrosion Resistant Junction Boxes

Application

- Designed for use as instrument enclosures, electric, hydraulic or pneumatic control housings, electrical junction boxes or terminal wiring enclosures.
- Provides protection where equipment may be hosed down or otherwise be very wet, or in specific applications where corrosion may be a problem.

Standards

- UL 508 Type 3R, 4, 4X, 12 and 13.
- CSA Type 3R, 4, 4X, 12 and 13.
- **Complies with**
 - NEMA Type 3R, 4, 4X, 12 and 13.
 - JIC EGP-1-1967
 - IEC 60529, IP66

Construction

- Formed from 14 gauge Type 304 stainless steel without knockouts, cutouts, or holes.
- Smooth, continuously welded seams.
- Welded brackets provide for enclosure mounting.
- Lift-Off cover is secured with stainless steel clamps and screws.
- Oil resistant gaskets are permanently secured.
- All models larger than 4" x 4" include a removable 14 gauge inner panel.
- Tapped studs are provided for mounting inner panels.
- A bonding stud is provided on the door and a grounding stud is provided in the enclosure.

Finish

- Cover and enclosure are natural stainless steel with a smooth brushed finish.
- Removable inner panel is finished in white powder coating.

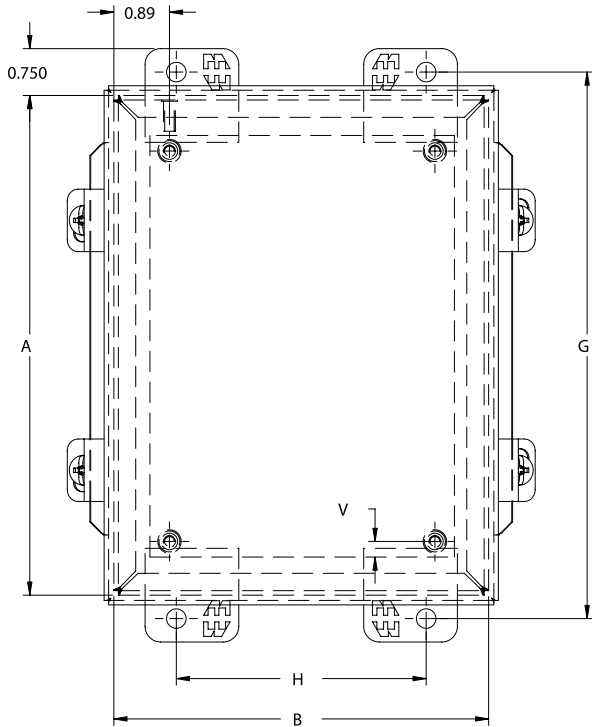
Accessories

- Additional inner panels...see page **433**
- Breather kits...see page **423**
- Door clamping hardware
...see page **427**
- Filter fans...see page **408-414**
- Heaters...see page **418-420**
- Louvered ventilating plates
...see page **450**
- Terminal kit assemblies
...see page **436**
- Thermostats...see page **421-422**
- Window kits...see page **444**

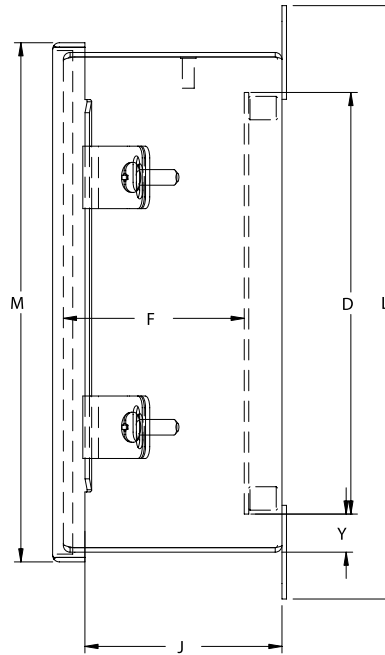
1414 N4 304 SS Stainless Steel Enclosures - NEMA 4X

Lift-Off, Clamped Cover

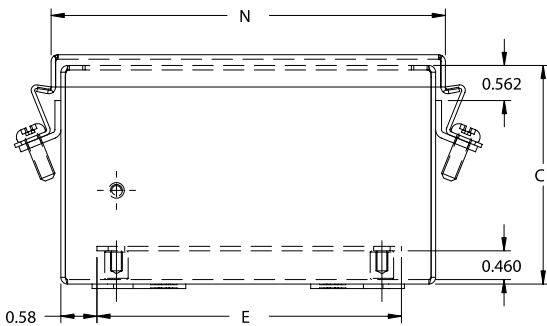
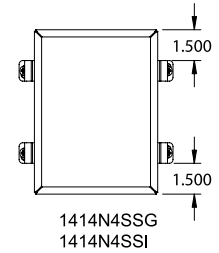
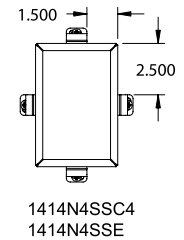
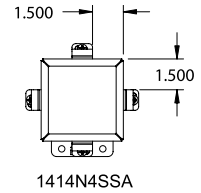
Corrosion Resistant Junction Boxes



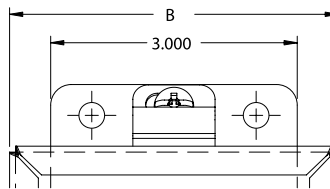
Front View



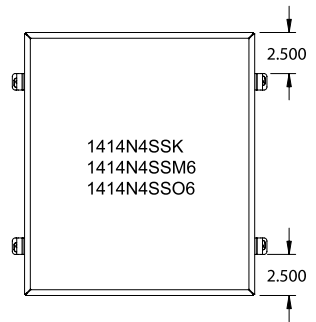
Side View



Bottom View



Mounting Detail When B= 4



Part Number	Dimensions			Panel Size			Mounting Centers				Cover Dim.				Shit Wt. Lbs w/o Panel
	A	B	C	D	E	F	G	H	J	L	M	N	V	Y	
1414N4SSA	4.00	4.00	3.00	-	-	-	4.75	2.00	2.60	5.50	4.31	4.31	-	-	2
1414N4SSC4	6.00	4.00	4.00	4.88	2.88	3.50	6.75	2.00	3.60	7.50	6.31	4.31	0.31	0.56	3
1414N4SSE	6.00	6.00	4.00	4.88	4.88	3.50	6.75	4.00	3.60	7.50	6.31	6.31	0.31	0.56	6
1414N4SSG	8.00	6.00	3.50	6.75	4.88	3.00	8.75	4.00	3.60	9.50	8.31	6.31	0.25	0.63	6
1414N4PHSSI	10.00	8.00	4.00	8.75	6.88	3.50	10.75	6.00	3.60	11.50	10.31	8.31	0.25	0.63	10
1414N4SSK	12.00	10.00	5.00	10.75	8.88	4.50	12.75	8.00	4.60	13.50	12.31	10.31	0.25	0.63	15
1414N4SSM6	14.00	12.00	6.00	12.75	10.88	5.50	14.75	10.00	5.60	15.50	14.31	12.31	0.25	0.63	20
1414N4SSO6	16.00	14.00	6.00	14.75	12.88	5.50	16.75	12.00	5.60	17.50	16.31	14.31	0.25	0.63	26

Technical references and DXF downloads available at www.hamfmfg.com

All dimensions in inches unless specified otherwise

Quality Enclosures. Service Excellence.